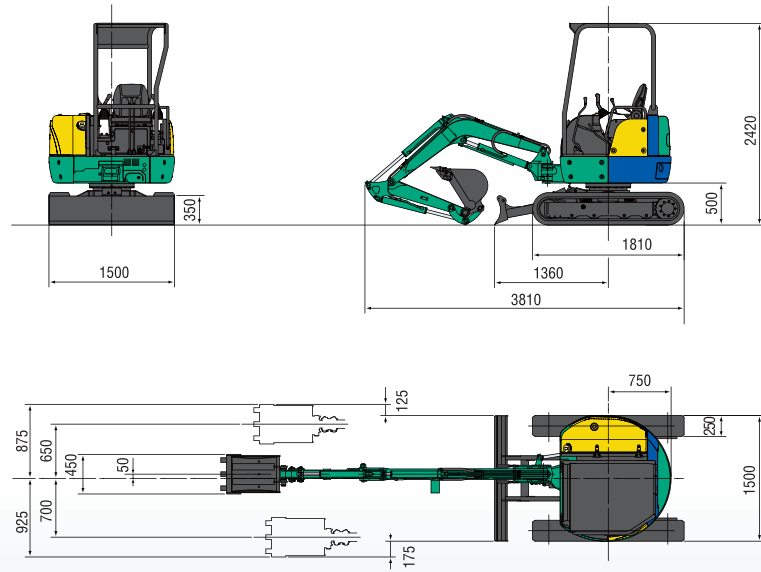
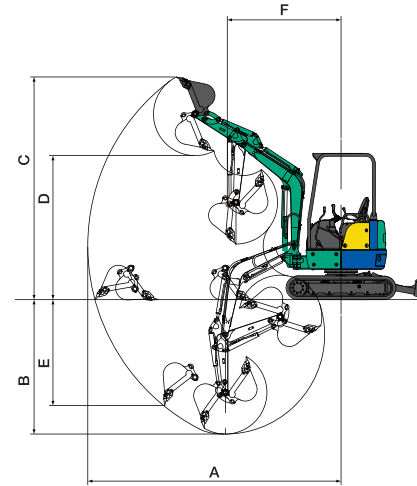


## ■ Dimensions (Unit:mm)



## ■ Working Range (Unit:mm)



	4post or Cabin	1post
A Max. digging radius	4200 (4420)	4200 (4420)
B Max. digging depth	2250 (2550)	2250 (2550)
C Max. digging height	3670 (3740)	4120 (4280)
D Max. dumping height	2370 (2460)	2760 (2930)
E Max. vertical digging depth	1750 (1980)	1750 (1980)
F Min. front turning radius	1870 (2000)	1620 (1820)
At right boom swing	1540 (1640)	1320 (1490)

※4Post : ROPS/TOPS Canopy  
 ※Cabin : ROPS/TOPS Cabin  
 ※1Post : 1Post Canopy  
 ※( ) : Figures for long arm



# 20VX Mini Excavator

Standard Bucket Capacity : ISO 0.07m<sup>3</sup>

**2ton, 1.5m Width.**  
**Transportability, Large Operator Space.**

## ■ 20VX Specifications

Model	20VX
<b>• Performance</b>	
Bucket capacity	0,07m <sup>3</sup>
Bucket width	450mm
Operating weight : 4post (Cabin)	2085kg (2185kg)
Transportation weight : 4post (Cabin)	2010kg (2110kg)
Swing speed	10min <sup>-1</sup>
Travel speed (low/high)	2,3/4,5km/h
Gradeability	58% (30°)
Ground pressure	26kPa (0,27kgf/cm <sup>2</sup> )
Max.bucket digging force	19,6kN (2000kgf)
<b>• Engine</b>	
Model	YANMAR 3TNV76
Rated output	13,0kW(17,6PS)/2200min <sup>-1</sup>
Fuel tank capacity	35 L
<b>• Boom swing system</b>	
Type	Boom offset with hydraulic cylinder
Swing angle (L/R)	60° / 80°
<b>• Hydraulic system</b>	
Pressure	20,6MPa (210kgf/cm <sup>2</sup> ), 18,1MPa (185kgf/cm <sup>2</sup> )
Pump hydraulic flow	24,6L/min × 2 + 17,6L/min
<b>• Dozer blade</b>	
Size	1500mm × 350mm
Lift above ground / Drop below ground	340mm / 370mm



1 Post Canopy



Steel Cabin



Rubber Pad for Steel Shoe

## ■ Options

	Bucket
• Long-arm (standard + 300mm)	
• Steel Shoe (250mm)	0.04m <sup>3</sup> / Digging bucket (250mm width)*
• Auxiliary hydraulic piping (41L/min)	0.05m <sup>3</sup> / Digging bucket (320mm width)*
• 1 Post Canopy	0.06m <sup>3</sup> / Long arm bucket (400mm width)
• Steel cabin	0.08m <sup>3</sup> / Loading bucket (500mm width)
• Rubber Pad for Steel Shoe	0.09m <sup>3</sup> / Loading bucket (550mm width)

\*without side cutter



**High-power engine.**

Equipped with large engine to deliver substantial performance in combination with the variable pump with power shift.



**Closer distance between bucket and dozer blade.**

By optimizing attachment geometry, digging performance near the dozer blade has been improved.



**Joystick lever and roomy operator's seat.**

Joystick lever control enables precision operation.



**Full-opening cover.**

The engine cover, right side cover all can easily be fully opened.

### Eco-friendliness and Safety

- Engine compliant with gas emission for EC Stage IIIA and EPA Tier4.
- Conform to the EC low noise regulation.
- 4 post canopy (ROPS&TOPS) equipped as standard.
- Swing parking brake equipped as standard.

### Easy Operation

- Closer distance between bucket and dozer blade.
- A large dozer blade makes bulldozing easier and offers high durability.
- Joystick lever control enables precision operation.

### Easy Maintenance

- Sintering metal bush extends greasing interval.
- Aluminum made radiator and oil cooler resist against rusting.
- Segmented boom cylinder hoses for easier replacement.
- Full-opening engine cover for easy maintenance.

### Rugged Body

- The engine cover and the side cover are the rugged pressed steel.
- Equipped rugged dozer blade.
- Bucket cylinder hoses are placed inside of arm.
- High Flange Roller to avoid taking Rubber shoe off.